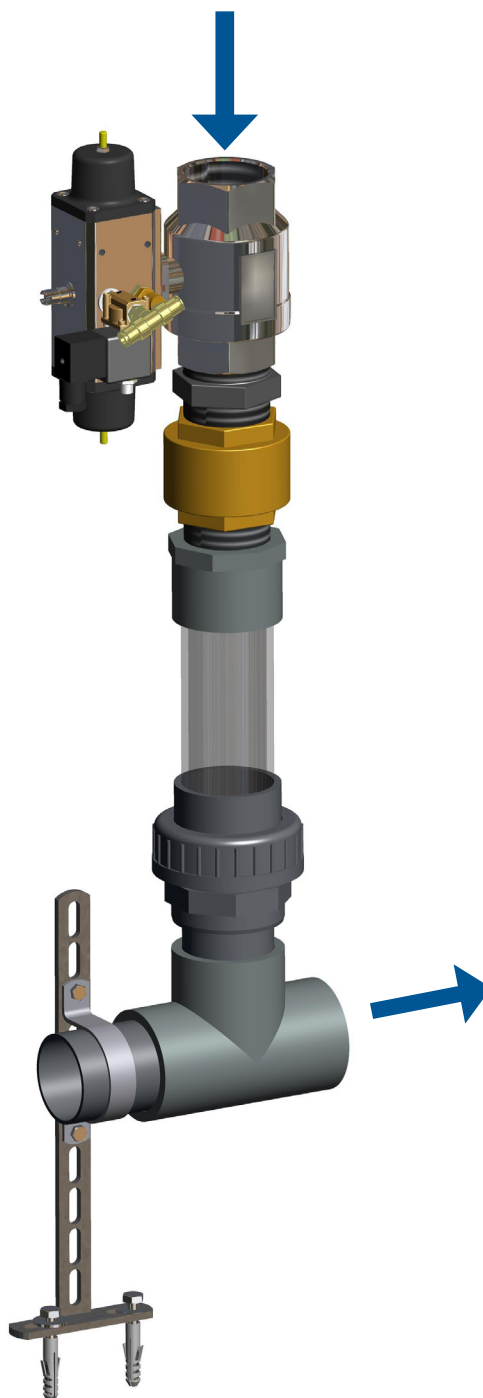


# Vådfoder/ Liquid feeding/ Flüssigfütterung/ Alimentation en soupe/ Жидкое кормление/ Alimentación líquida

№ 0139-475



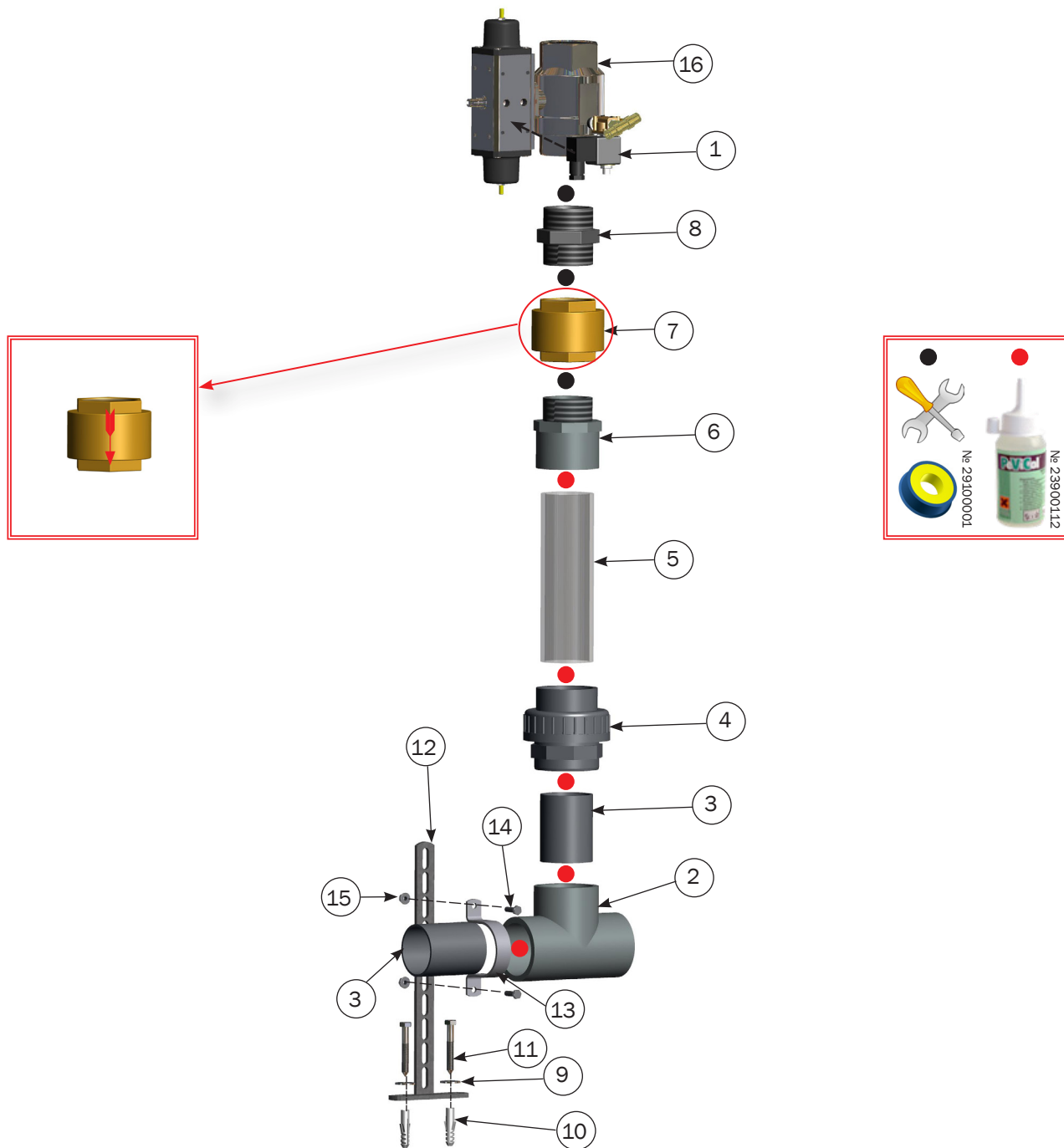
DK/EN/DE/FR/RU/ES

## Tekniske specifikationer/ Technical specifications/ Technische Spezifikationen/ Sésificacions techniques/ Технические характеристики/ Especificaciones técnicas

|   |             |
|---|-------------|
| Ventil/ Valve/ Ventil/ Soupape/ Вентиль/ Válvula  | 2" AISI 304 |
| Luftryk/ Air pressure/ Luftdruck/Pression d'air/ Давление воздуха/ Presión del aire                             | max. 8 bar. |
| El-tilslutning/ Electric connection/ Elektr.Anschluss/ Connexion électr./ Электр.соединение/ Conexión eléctrica | 24VDC, 6W   |
| Vandtryk/ Water pressure/ Wasserdruck/ Pression d'eau/ Давление воды/ Presión del agua                          | max. 10 bar |

# Vådfoder/ Liquid feeding/ Flüssigfütterung/ Alimentation en soupe/ Жидкое кормление/ Alimentación líquida

№ 0139-475



EN

| Item № | QTY. | Part №   | Description                       |
|--------|------|----------|-----------------------------------|
| 1      | 1    | 0320-040 | Solenoid Valve 24VDC For 1/4 -1/8 |
| 2      | 1    | 23900067 | PVC Tee Ø63 mm                    |
| 3      | 2    | 0138-653 | PVC Tube Ø63 X 80                 |
| 4      | 1    | 23900104 | PVC Union Ø63 mm                  |
| 5      | 1    | 0139-478 | Transparent PVC Ø63 X 200 mm      |
| 6      | 1    | 23900070 | PVC Threaded Nippel Ø63 mm x 2'   |
| 7      | 1    | 12100081 | Non-return Valve 2'               |
| 8      | 1    | 23900297 | PVC Heagon Nipple NIF 2'          |

| Item № | QTY. | Part №   | Descriptionw                                      |
|--------|------|----------|---|
| 9      | 2    | 35600058 | Nut Washer Ø8X8,4/24/2 A2 DIN9021                 |
| 10     | 2    | 39900120 | Wall Plug 10X50 mm                                |
| 11     | 2    | 34908061 | Couch Screw M8X60 A2 DIN 571                      |
| 12     | 1    | 0139-578 | Distance Fittings                                 |
| 13     | 1    | 0146-119 | Pipe Holder F/2',Ø60+Ø63 Pipe                     |
| 14     | 2    | 30306020 | Set Screw M6X20 A2 DIN 933                        |
| 15     | 2    | 33506011 | Collar Head Nut M6 A2 DIN 6923                    |
| 16     | 1    | 12100091 | Brass Ballvalve 2' Incl. Actuator, only for water |