

BIOLINE CORNER

Corner trough for sows



- Strong trough for sows
- Made of acid-proof materials
- Volume is 19,5 l
- Minimum feed waste
- Fits to U-profile in the corner
- Tight fit to the wall / pen equipment

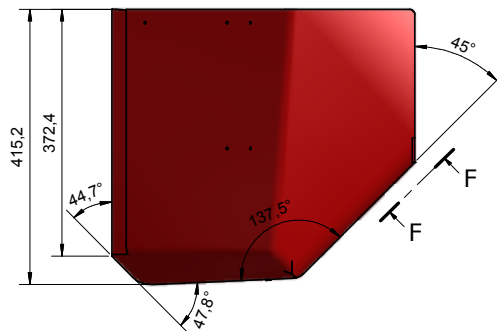
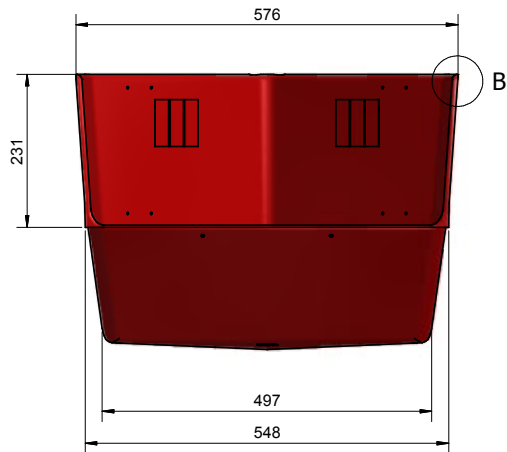
BIOLINE CORNER

Corner trough for sows

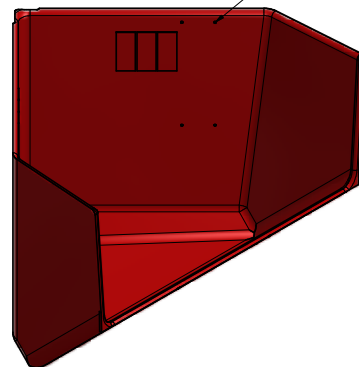
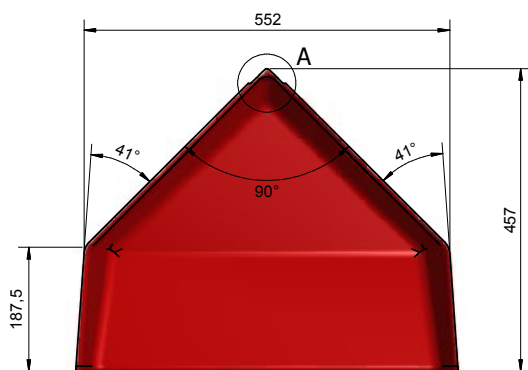


BIOLINE CORNER is a corner trough that can contain up to 19,5 l feed. It is closed from both sides at 40 cm above the bottom of the trough. This allows the trough to accommodate large amounts of feed, that sows can consume without significant feed waste.

The trough is designed so that it fits to U-profiles in the corner, thus closing tight to the wall / pen equipment in front of the trough.



4 marks for drilling of holes, placed opposite the 4 markers at the outside, must be made in both sides, inside the trough.



Subject to changes in materials and design is reserved.

B-8026-GB



ACO FUNKI A/S
Kirkevænget 5
DK-7400 Herning

T. +45 9711 9600
www.acofunki.com
www.egebjerg.com



FUNKI | EGBJERG