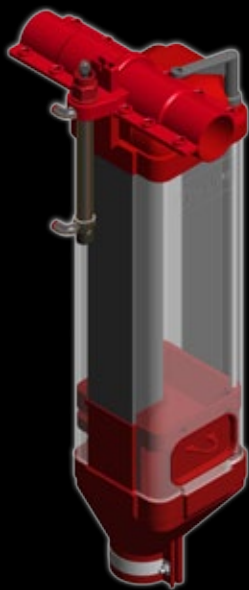




## MASTER VALVE SOW

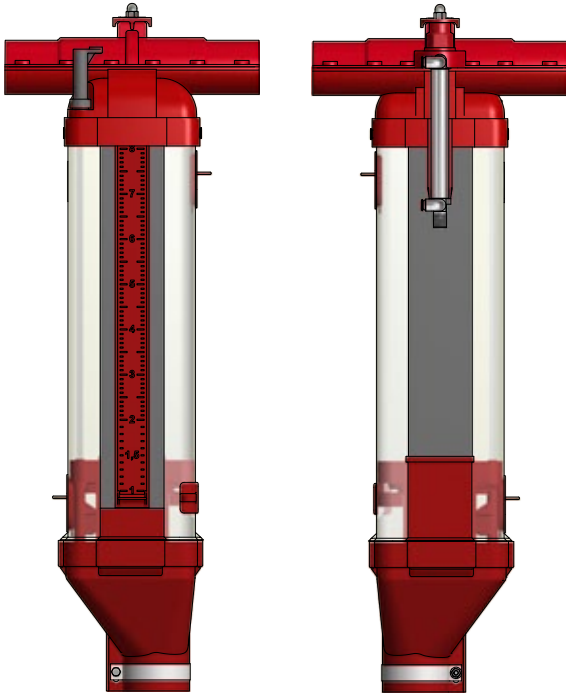
Perfect for phase feeding of sows



- Can be used for phase feeding of sows
- Different feed mixes
- Save feed costs
- Optimal use of feeding system
- User-friendly control unit
- Simple and reliable
- Lock for feed release if the sow has not eaten up
- 6 l feed dispenser
- Easy to adjust feed amount
- Can be adjusted with feed in feed dispenser

# | MASTER VALVE SOW |

Feed dispenser with integrated feed valve - perfect for phase feeding of sows



With Master Valve Sow you can decide which distribution of feed mix should be given to the sows, and the system allows a distribution of the right feed at the right moment.

- Feed chain system Ø60 mm
- **Ø75 mm outlet** - can be used with a special Y-outlet, which makes it possible to be used with several dry feed units at the same time.

AIRTOP for VD6 - integrated feed valve  
**Article nr. 0222-650**

Feed dispenser with integrated feed valve, complete  
**Article nr. 0222-655**

## EFFECT OF TWO MIXTURES DURING THE NURSING PERIOD

Group	Control	Experiment	P-value*
Animals team	32	32	-
Amount of sows	298	322	-
Piglets born, in total per litter	18,4	18,1	0,377
Piglets born dead, % of the piglets born in total	8,7	6,6	<0,0001
Piglets mortality during the nursing period, %	14,6	13,7	0,213
Total mortality, among piglets, %	22,3	19,9	0,004

Source: Bruun et al., 2015.

**Control** - results when using one feed mix during the entire nursing period.

**Experiment** - results when using fiber-rich mix during the first 7 days of nursing period, and then a regular nursing feed mix.

\* The specified P-values indicate, whether the differences were statistically secure. Only at  $P < 0,05$  the effect was considered statistically secure.

Subject to changes in materials and design is reserved.

B-1039-GB



**ACO FUNKI A/S**  
Kirkevænget 5  
DK-7400 Herning  
T. +45 9711 9600  
www.acofunki.dk

