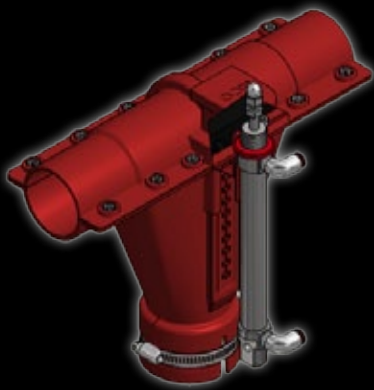




MASTER VALVE DRY

Pneumatic valve for dry feed with Y-outlet



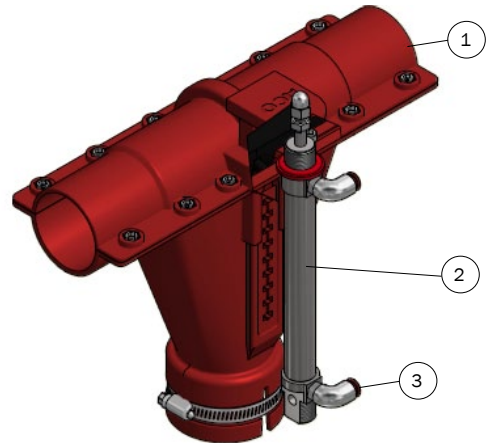
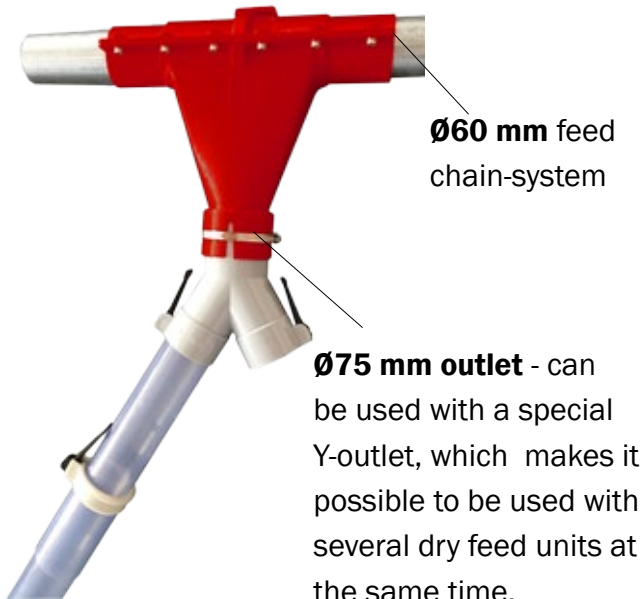
- Special Y-outlet for simultaneous use with several dry feed units
- Operates with a pneumatic cylinder with air pressure
- Individually controlled feeding
- Ø60 valve / Ø75 outlet
- Easy lock
- Easy cleaning of pipes

MASTER VALVE DRY

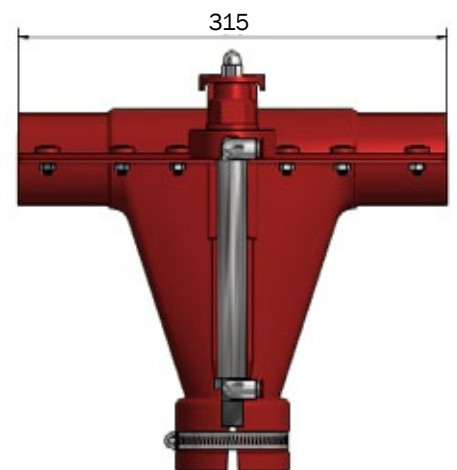
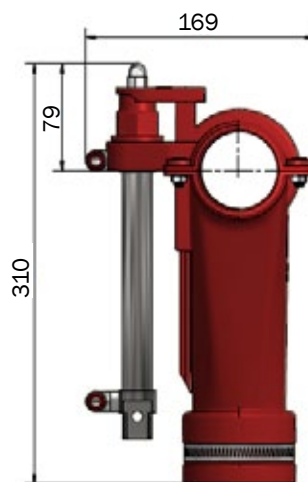
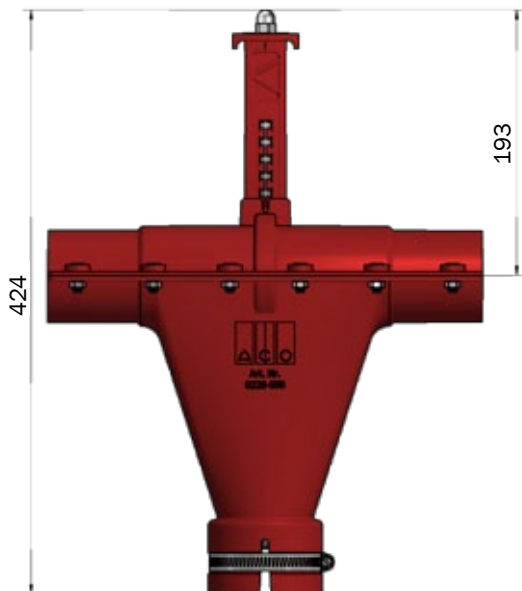
Pneumatic valve for dry feed with Y-outlet

This newly developed pneumatic valve from ACO FUNKI features a special Y-outlet which make it possible to use the valve with several dry feed units at the same time. The valve operates with a pneumatic cylinder with air pressure and make is possible to control the feed individually for the pigs.

0228-550 Dry feeder valve



- 1 **0228-543** Dry feeder valve
- 2 **0228-540** Minicylinders 22 mm/125 mm
- 3 **12100208** Quick coupling, angle 8/6-1/8"



Subject to changes in materials and design is reserved.

B-1040-GB



ACO FUNKI A/S
Kirkevænget 5
DK-7400 Herning
T. +45 9711 9600
www.acofunki.dk

